

2

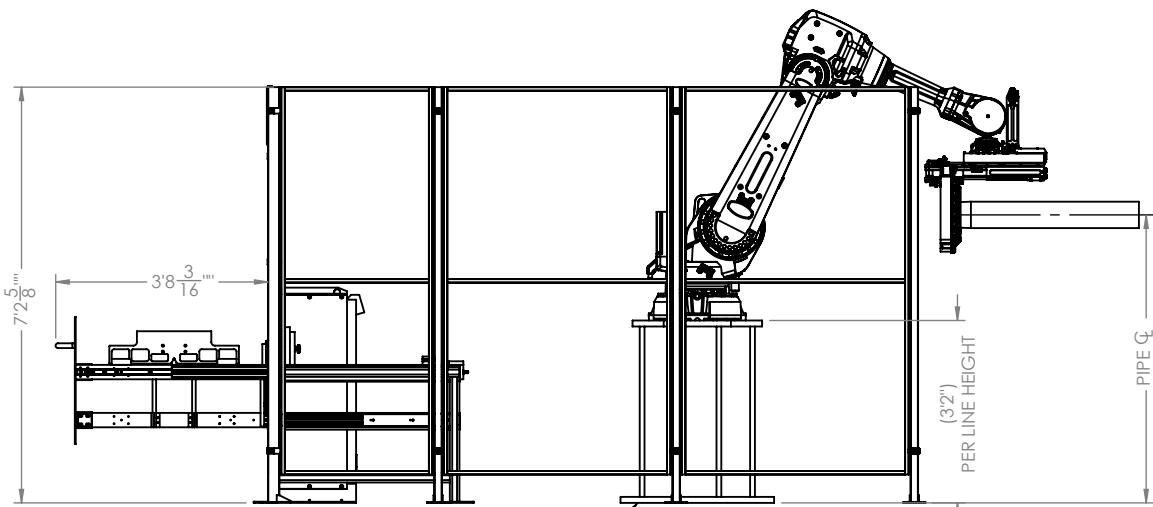
1

Robot Controller, ABB V400XT

11'6 1/2"

6'9 7/8"

Robot Tool Drawer



Robot Base



**PROPRIETARY AND CONFIDENTIAL**

THE INFORMATION CONTAINED IN THIS DRAWING IS THE SOLE PROPERTY OF AUTONETICS. ANY REPRODUCTION IN PART OR AS A WHOLE WITHOUT THE WRITTEN PERMISSION OF AUTONETICS IS PROHIBITED.

UNLESS OTHERWISE SPECIFIED:  
 DIMENSIONS ARE IN INCHES  
 TOLERANCES:  
 FRACTIONAL ± 1/16  
 TWO PLACE DECIMAL ± .010  
 THREE PLACE DECIMAL ± .005

MATERIAL:

FINISH

TITLE: AGU5 Robot Assy Standard PL

SIZE	DWG. NO.	REV
<b>A</b>		<b>0</b>

DO NOT SCALE DRAWING	SHEET 1 OF 1
----------------------	--------------

2

1

B

B

A

A